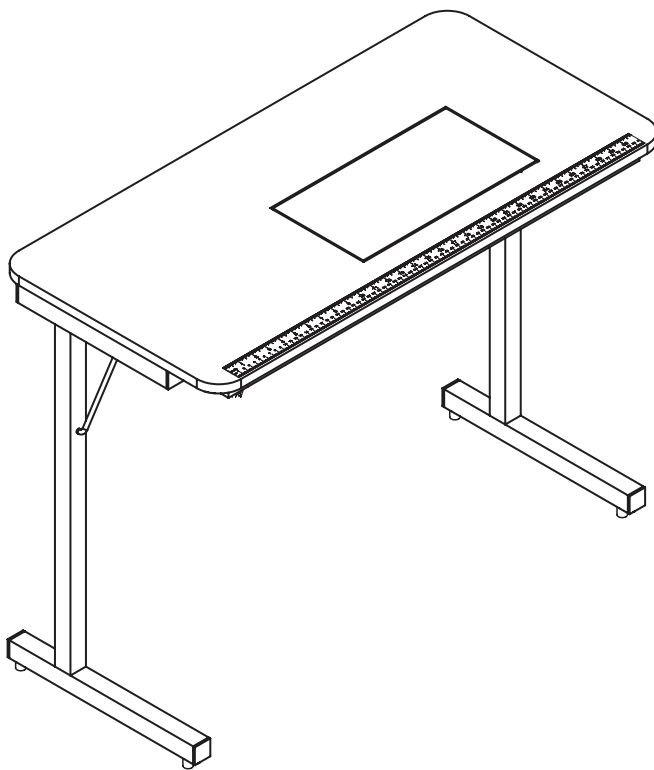


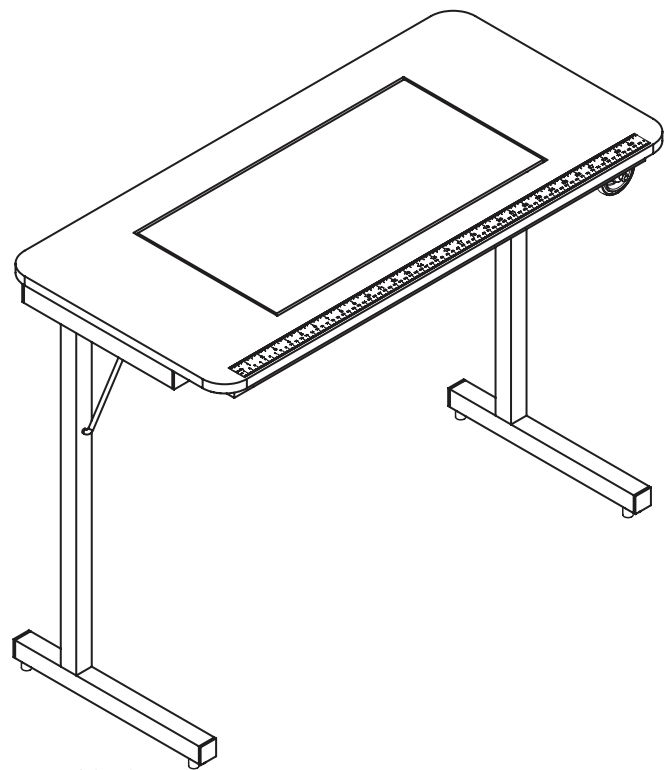
OWNER'S MANUAL

Gidget

ITEM NO.: 601 Gidget I
611 Gidget II



Gidget I

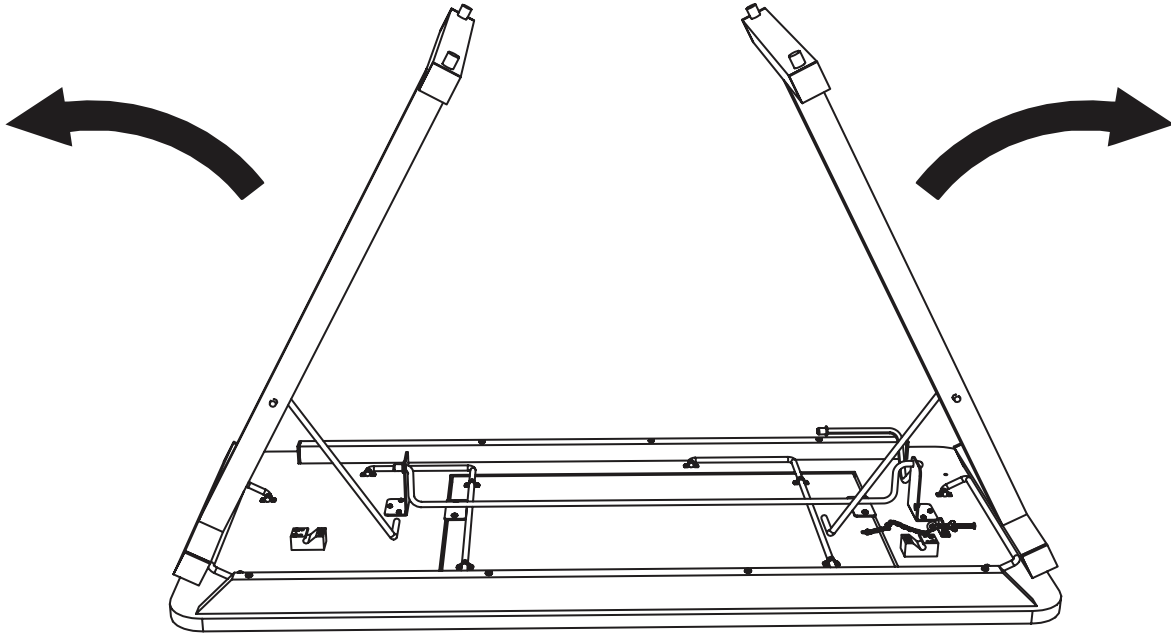


Gidget II

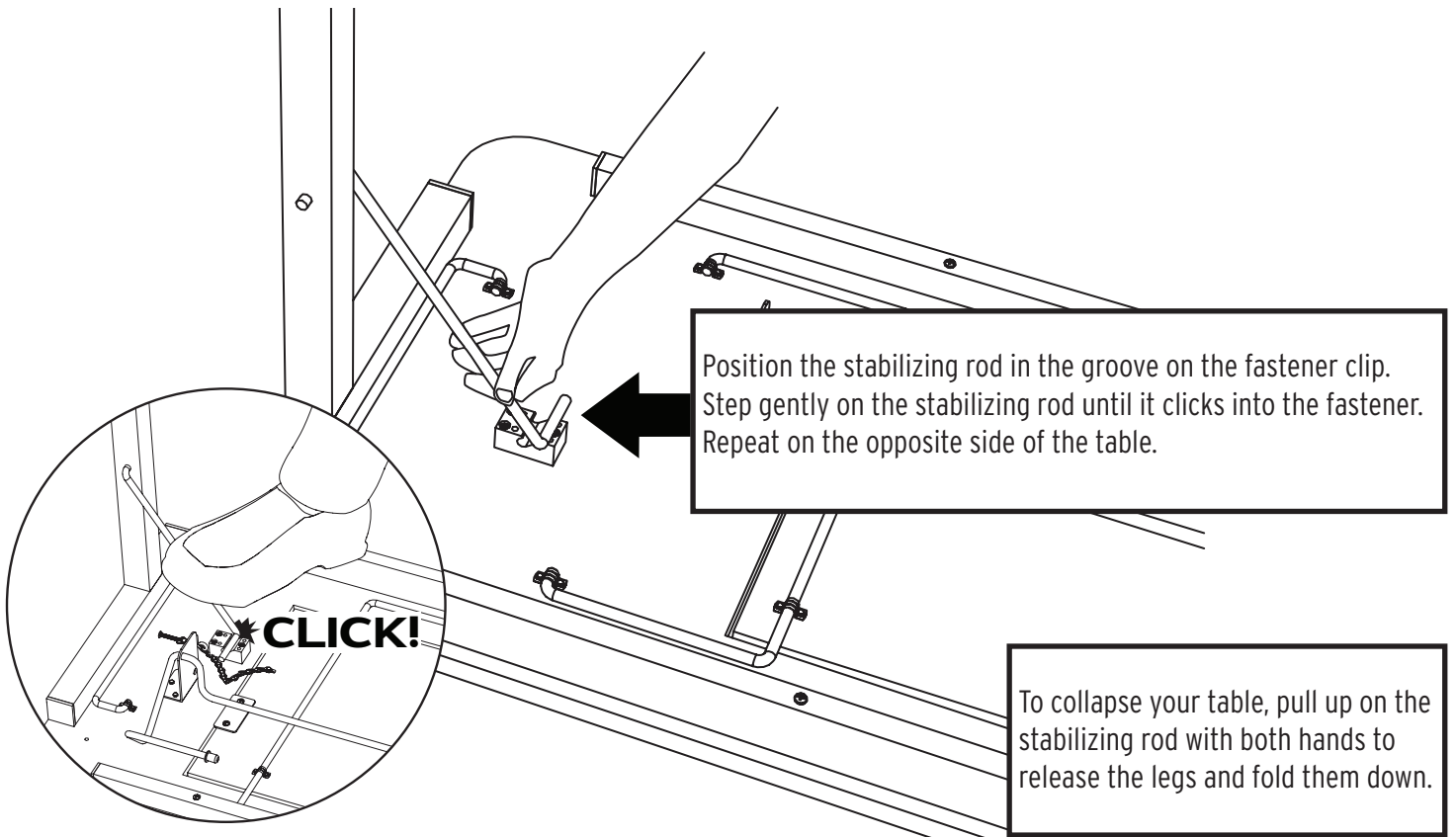
General Care

Your sewing table requires a minimum amount of maintenance. To remove marks and enhance the surface, wipe with a gentle all-purpose cleanser. DO NOT use ammonia-based, harsh chemicals or abrasive cleaning agents. Wipe dry immediately.

Table Setup



Remove the table from the box and place it on a carpeted or otherwise protected surface. Pull the legs up and out.



Position the stabilizing rod in the groove on the fastener clip. Step gently on the stabilizing rod until it clicks into the fastener. Repeat on the opposite side of the table.

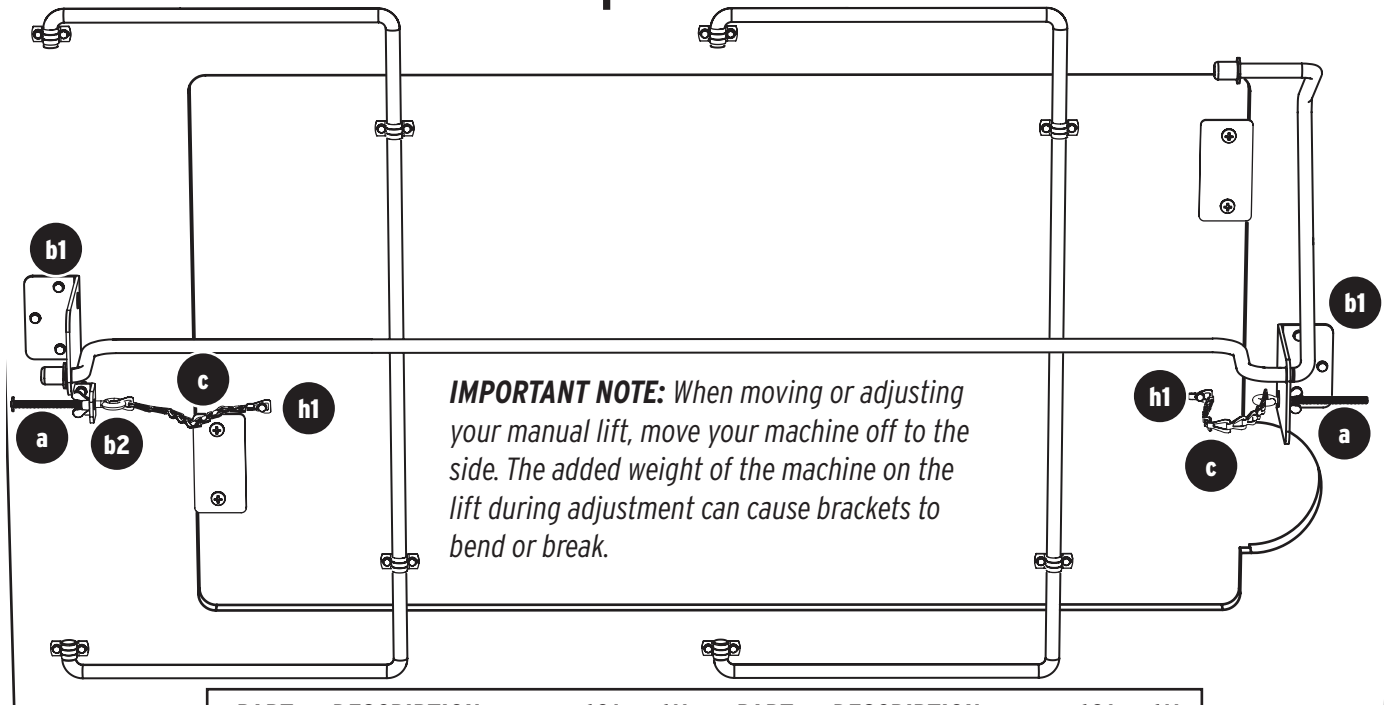
CLICK!

To collapse your table, pull up on the stabilizing rod with both hands to release the legs and fold them down.

WARNING: DO NOT MOVE YOUR SEWING TABLE WITH ITS LEGS OPEN OR WHILE IT IS HOLDING A SEWING MACHINE

To move or reposition your sewing table, remove everything from the tabletop and collapse the legs. Moving your sewing table while it is set up or holding weight can result in damage not covered by your product warranty.

Lift Parts



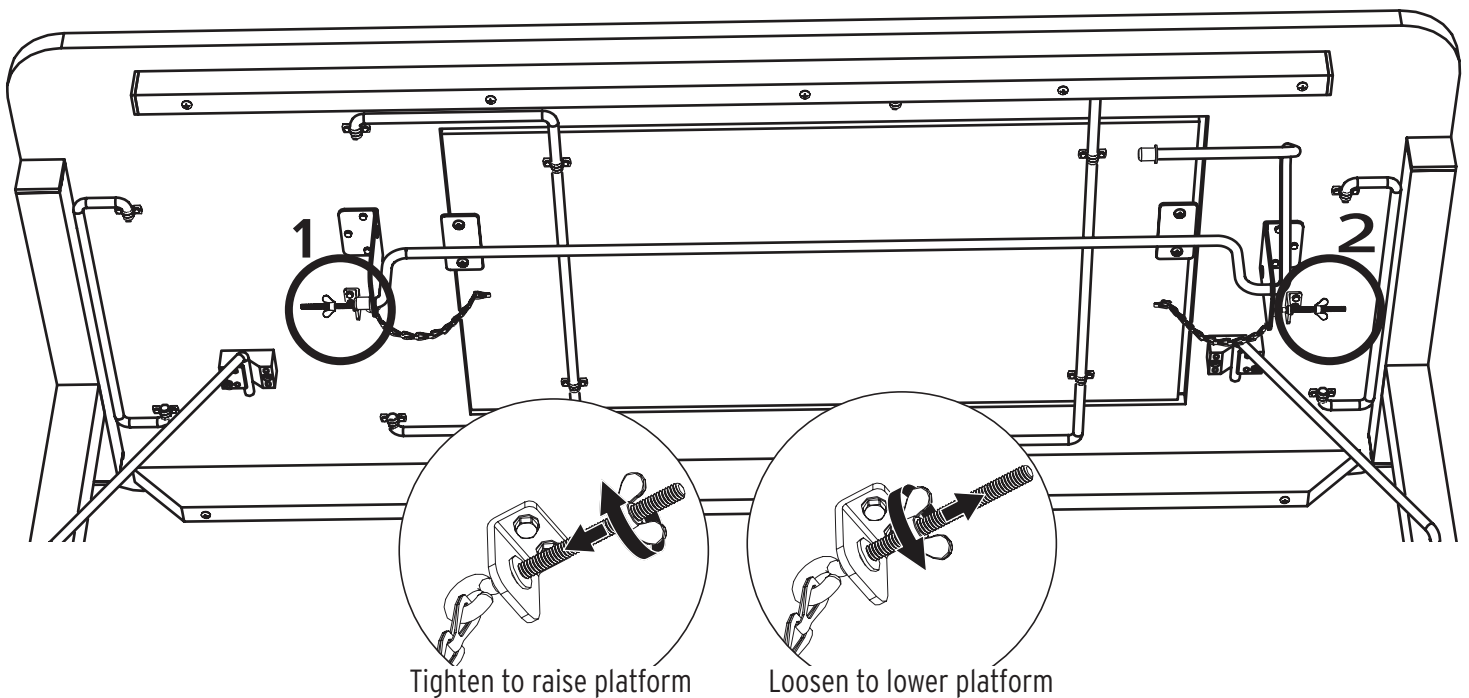
IMPORTANT NOTE: When moving or adjusting your manual lift, move your machine off to the side. The added weight of the machine on the lift during adjustment can cause brackets to bend or break.

PART	DESCRIPTION	601	611	PART	DESCRIPTION	601	611
a	Bolt and Wing Nut	x1	x2	c	Chain	x1	x2
b1	Large Bracket	x1	x2	h1	Hexagonal Bolt	x1	x2
b2	Small Bracket	x1	x1				

Simple Lift Adjustment

For video instructions, visit www.arrowsewing.com/assembly and find the section on Manual Lifts

Lock your lift in the Free Arm position (fully raised lift). **Remove your machine from the lift.** Locate the Bolt and Wing Nut mechanisms (Part A) on the underside of your table. Check your platform height and repeat as necessary.



DO NOT ADJUST YOUR LIFT WHILE LOWERED OR WHILE YOUR MACHINE IS ON THE LIFT.

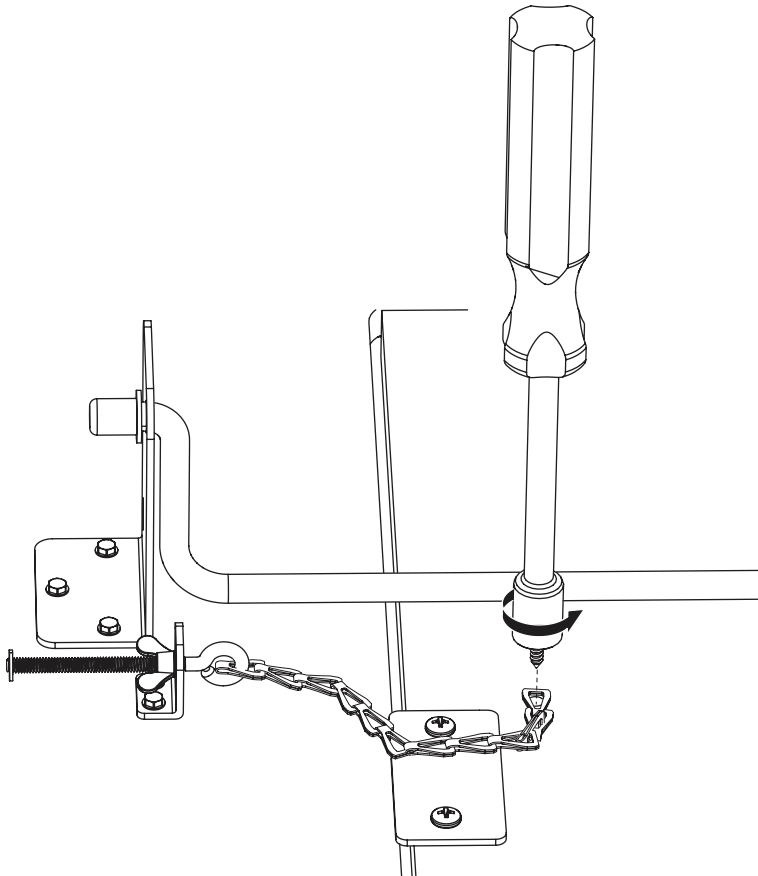
Chain Adjustment

For video instructions, visit www.arrowsewing.com/assembly and find the section on Manual Lifts

Most adjustments to your manual lift can be achieved by tightening or loosening the wing nut up and down the bolt. If adjusting the position of the wing nut does not sufficiently modify your platform height, you will need to adjust the chain length.

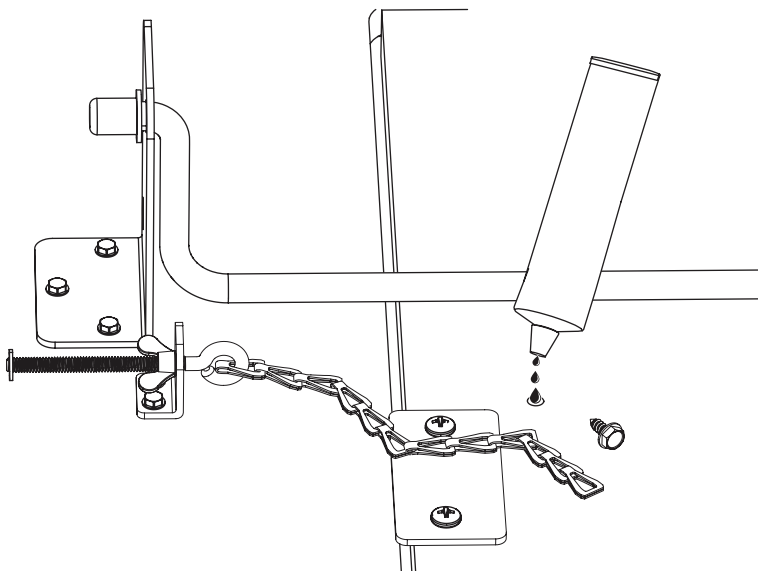
You will need a 1/4" Socket Nut Driver or Adjustable Wrench to adjust the chain length on your manual lift.

IMPORTANT NOTE: When moving or adjusting your manual lift, move your machine off to the side and lock the lift in Free Arm position (fully raised). The added weight of the machine on the lift during adjustment can cause brackets to bend or break.



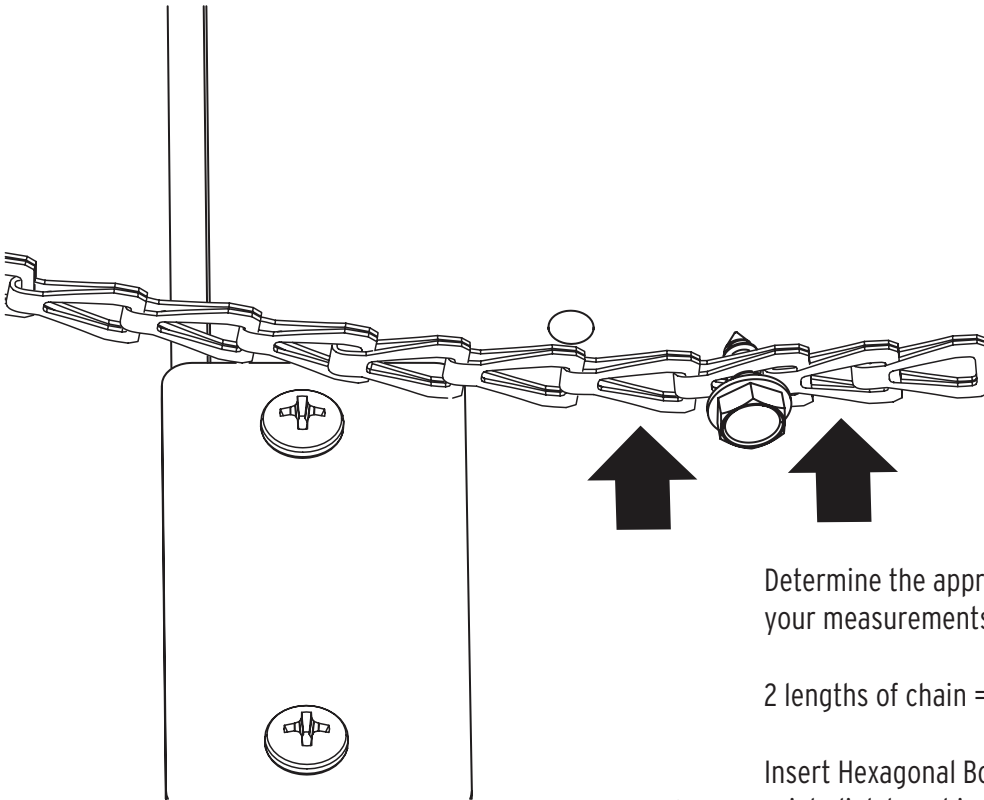
NOTE: Before beginning, carefully measure to determine the appropriate height for your lift. With the lift lowered, measure from your thread plate to the top of the cabinet.

Using your socket nut driver or wrench, loosen the Hexagonal Bolt as shown at left.



Place a few drops of wood glue or similar adhesive into the hole for the Hexagonal Bolt.

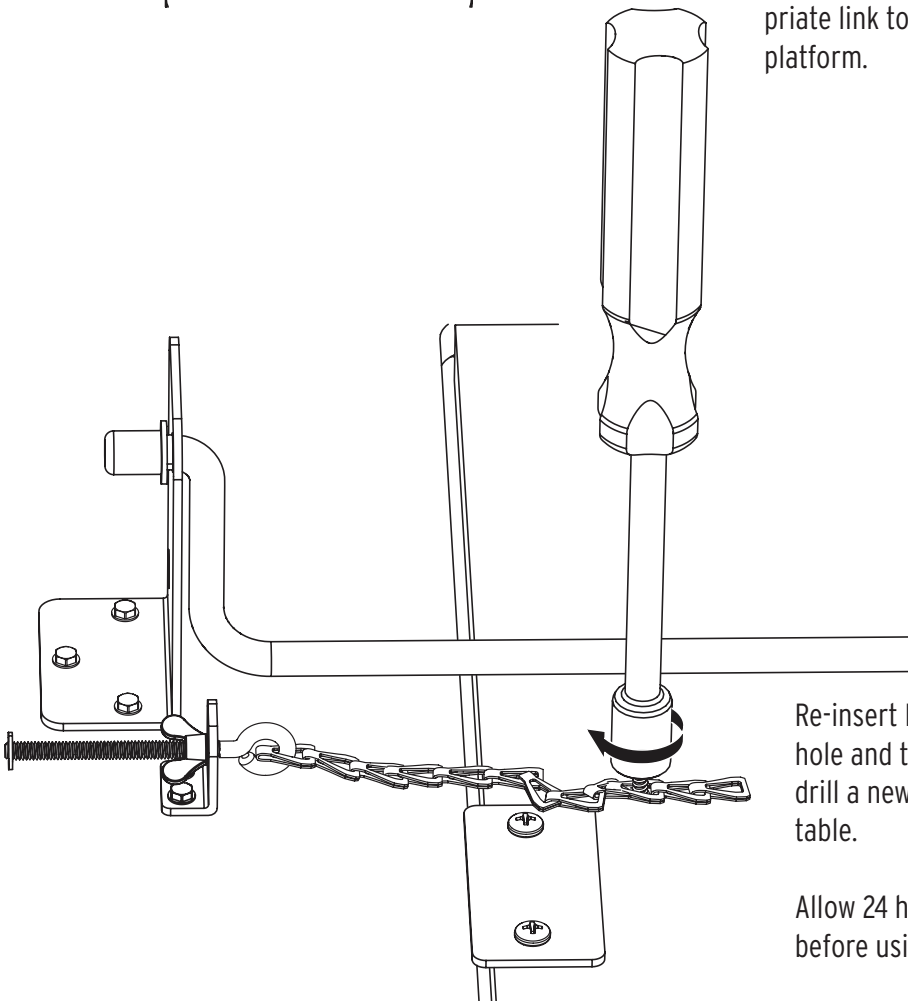
Chain Adjustment



Determine the appropriate length of chain based on your measurements for desired lift platform height.

2 lengths of chain = 1 inch.

Insert Hexagonal Bolt into the chain link at the appropriate link to achieve the height you want for your lift platform.



Re-insert Hexagonal Bolt into the existing hole and tighten. Alternatively, you may drill a new hole in the underside of your table.

Allow 24 hours for the adhesive to cure before using the lift.



LIMITED WARRANTY

Arrow Classic Sewing Furniture 3-Year Warranty

WHAT THIS WARRANTY COVERS: Arrow Companies, LLC (Arrow) provides limited warranty coverage to the original purchaser of this product against defects in materials or workmanship of Arrow furniture components for a period of three years from the date of purchase. As used in this Warranty, “defect” means imperfections in components which substantially impair the utility of the product. This Warranty gives you specific legal rights, and you may also have other rights which vary from state to state.

HOW TO GET SERVICE: Simply contact Arrow at 1-800-533-7347 or CS@ArrowSewing.com. When you request warranty service, you must also present proof of purchase documentation, which includes the date of purchase (detailed receipt), and photos of the product. Arrow will replace any defective part (at its sole option), excluding labor. Replacement parts will be warranted for only the remaining period of the original Warranty.

Replacement parts will be shipped freight prepaid on any initial warranty claim during first year of Warranty only. Warranty applies only to defects confirmed by Arrow Companies, LLC and will be replaced or repaired at Arrow’s option. In the event parts are no longer available for a warranty claim, customer may receive brand new cabinet at a price equal to 60% off the MSRP of a current comparable model.

WHAT’S NOT COVERED: There is no Warranty coverage for defects or conditions that result from the following: Failure to follow product assembly instructions, information or warnings; misuse or abuse; intentional damage; fire, flood, alteration or modification of the product; use of the product in a manner inconsistent with its intended use; any condition resulting from incorrect or inadequate maintenance, cleaning, care or neglect; cuts or scratches; caster damage as a result of moving furniture fully loaded or with locked casters; damage resulting from electrical surge or lightning; or use in commercial or education environments. Arrow Sewing Furniture is designed for residential use only.

ARROW SHALL HAVE NO LIABILITY for ANY INCIDENTAL OR CONSEQUENTIAL DAMAGES OF ANY KIND and all such damages are EXCLUDED FROM THIS WARRANTY, such as loss of use, disassembly, transportation, labor or damage to property on or near the product. Some states do not allow the exclusion or limitation of incidental or consequential damages, so the above limitation or exclusion may not apply to you. The Warranty cannot be transferred to subsequent owners or users of the product, and it shall be immediately void in the event the product is resold, transferred, leased or rented to any third party or person other than the original purchaser.

ADDITIONAL LIMITATIONS: THERE ARE NO OTHER WARRANTIES APPLICABLE TO THIS PRODUCT. Under the laws of certain states, there may be no implied warranties from Arrow and all implied warranties, INCLUDING ANY IMPLIED WARRANTY OF MERCHANTABILITY OR FITNESS FOR A PARTICULAR PURPOSE are disclaimed where allowed by law. TO THE EXTENT ANY IMPLIED WARRANTIES ARE APPLICABLE, ANY IMPLIED WARRANTIES, INCLUDING ANY IMPLIED WARRANTY OF MERCHANTABILITY OR FITNESS FOR A PARTICULAR PURPOSE, ARE LIMITED IN DURATION TO THE DURATION OF THIS EXPRESS WARRANTY or the minimum period allowed by law, whichever is shorter. Some states do not allow limitations on how long an implied Warranty lasts, so the above limitation may not apply to you. This limited warranty gives you specific legal rights. This limited warranty does not, in any way, affect the rights given to you by law.

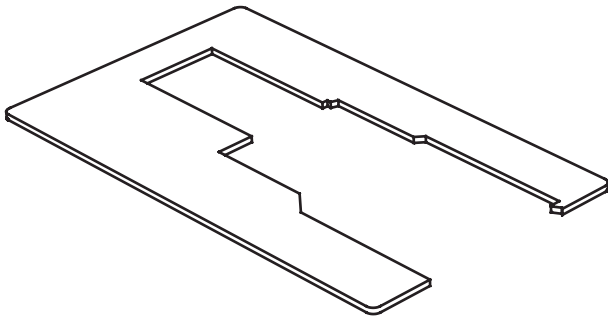
REGISTER YOUR PRODUCT: Original purchaser should register the purchase online at www.ArrowSewing.com/warranty.

COMPLETE YOUR SEWING STUDIO!

Elevate your sewing experience with Arrow's Best-Selling Accessories!

Custom Sewing Inserts

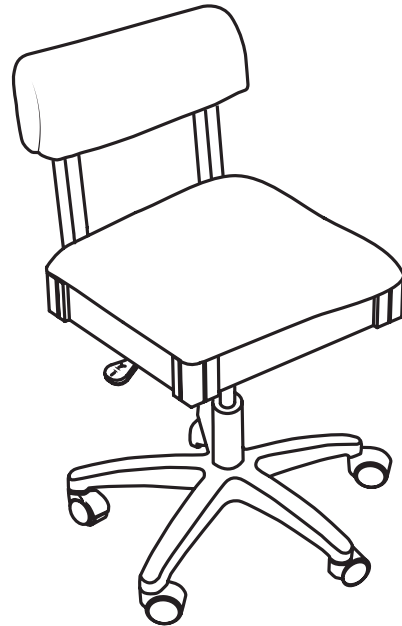
Enhance your sewing experience with a custom acrylic sewing insert! Custom acrylic sewing inserts are designed to fill the gap between your sewing machine and sewing cabinet's lift opening to create a flush, ergonomic surface for flat bed sewing. To ensure a perfect fit, custom acrylic sewing inserts are built specifically for your sewing machine and sewing cabinet combination. Say hello to happy wrists, straighter stitches, and an elevated sewing experience!



Custom Sewing Insert

Sewing Chairs

Arrow's #1 Rated Height Adjustable Sewing Chair is a must have accessory for your dream sewing room! Cute, comfortable and convenient - our lovable sewing chairs feature vibrant sewing themed patterns, 360° swivel access and lumbar support for long hours at your workstation. Don't look now, but under every seat cushion is a hidden storage compartment to store your notions and patterns! Available in 11 colors to perfectly match your sewing sanctuary!



Height Adjustable Sewing Chair